

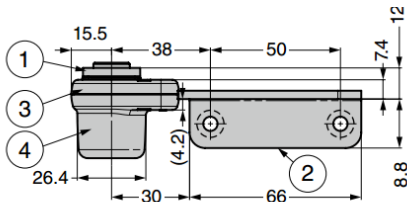
GHG-RCT Ratchet Hinge With Friction

Features

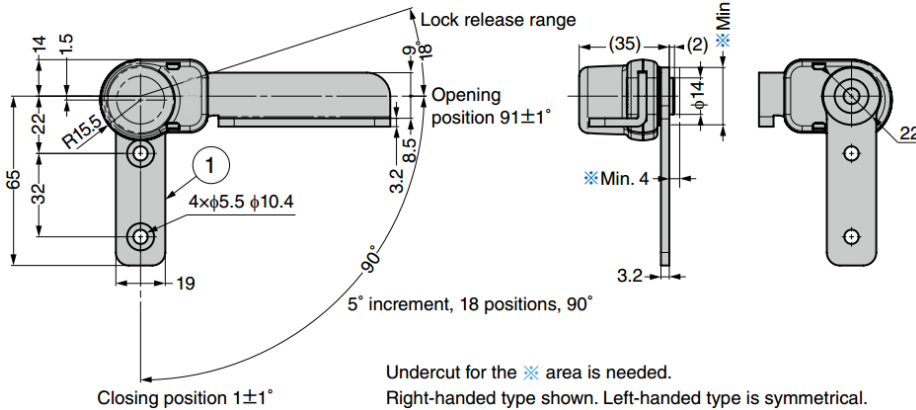
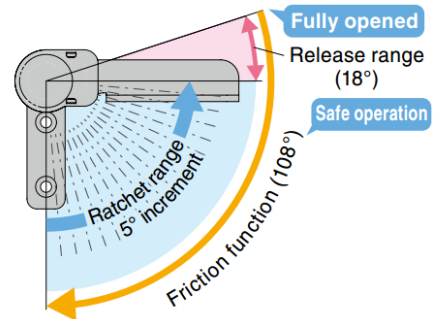
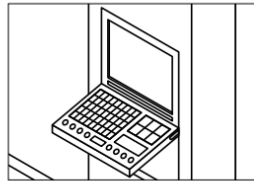
- Ratchet mechanism holds at angles in 5° increments from closed to opened position
- Lift up to the fully open position to release the ratchet mechanism
- The friction (resistance) function works even when released for safe operation
- Suitable for folding table, touch panels or keyboards which require multi angle adjustments

Notes

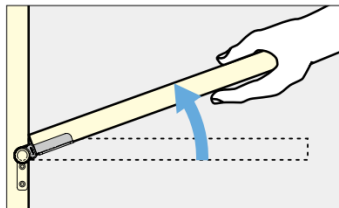
- To use in pairs
- Ensure the cabinet / enclosure / panel has sufficient rigidity. Otherwise, the ratchet mechanism may not function
- When the mounting width of hinge is more than 400mm, the ratchet mechanisms may not work simultaneously on the left and right



Application Example



Lock Release



| No. | Part Name | Material | Finish |
|-----|----------------------|--------------|--------|
| ① | Bracket | Steel (SPCC) | Nickel |
| ② | Arm (Right-handed) | | |
| ③ | Cover (Right-handed) | PC | - |
| ④ | Cover (Right-handed) | | |

| Part No. | Allowable Moment (per pair) | |
|-------------|-----------------------------|------------|
| GHG-RCT12-C | 40 N.m | 408 kgf.cm |